



Ambient, no heat

Lengths: 0,9 and 1,2 metres



## Thermozone® ADA Cool

### Air curtains for cold stores with door heights of up to 2,5 metres

Thermozone ADA Cool air curtains are intended for permanent installation above cold store openings with heights of up to 2,5 metres.

ADA Cool keeps the cold air in cold stores and also makes it possible to have an open cold store area without doors.

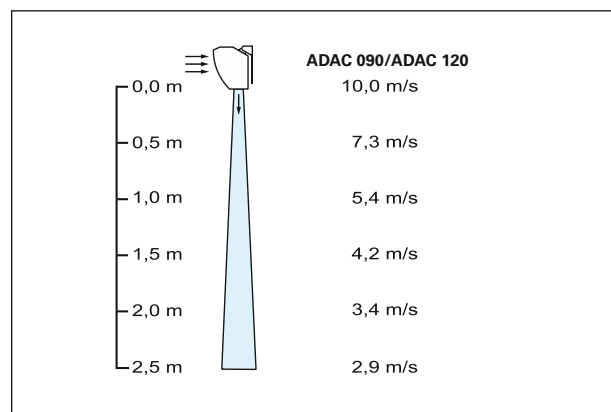
The air curtain creates an air barrier that also reduces the intrusion of exhaust fumes, smoke, dust, smells, etc. The cost of cooling is reduced and the cold stays where it is needed.

Thanks to compact design and air intake at the front, the ADA Cool-series can be mounted where space is limited between the ceiling and the upper edge of the doorway. It can also be mounted in false ceilings.

ADA Cool has a simple connection making it possible to easily link units together in order to cover wide openings.

- Corrosion proof housing made of hot zinc-plate and powder enamelled steel panels. Colour: RAL 9016.
- Special outlet grille for optimized operation.
- Compact and easily positioned.
- Easy installation with prefitted cable and plug. No qualified electrician needed.
- Several units can easily be linked together.

#### Air velocity profile

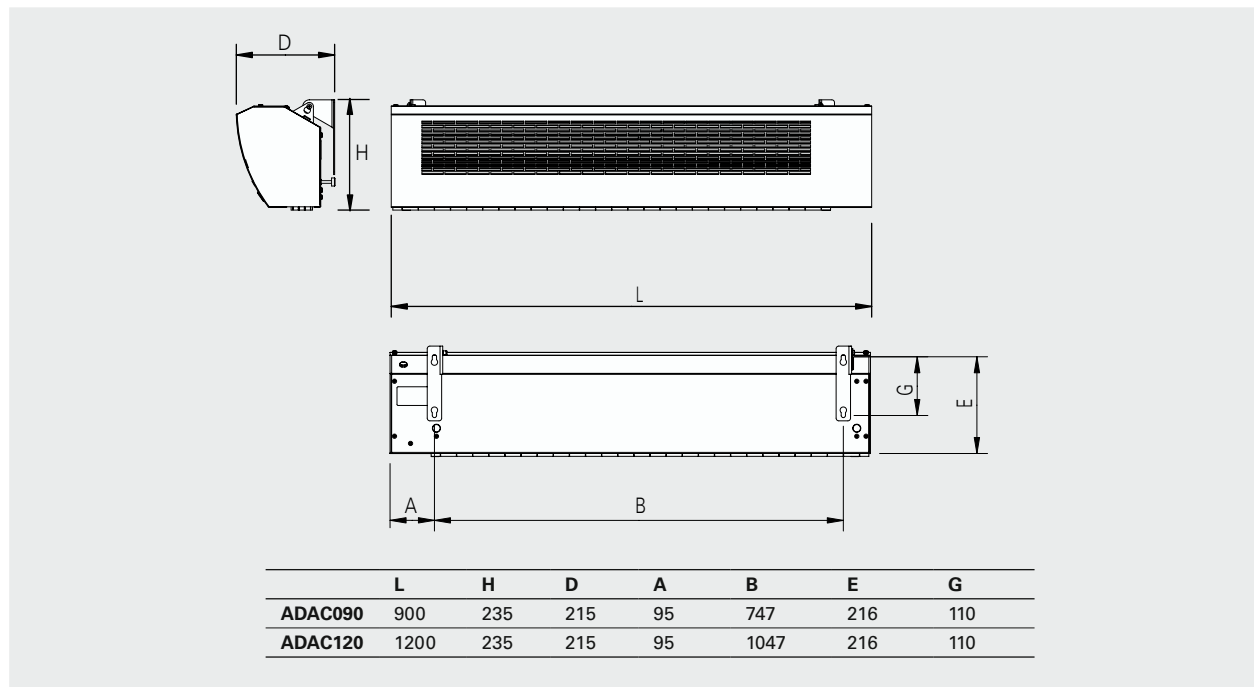


**Technical specifications** | Thermozone ADA Cool without heat ✨

Type	Airflow [m <sup>3</sup> /h]	Sound level [dB(A)]	Voltage [V]	Amperage [A]	Length [mm]	Weight [kg]
ADAC090	1150	54	230V~	0,50	900	9,6
ADAC120	1400	51	230V~	0,55	1200	11,8

\*1) Conditions: Distance to the unit 5 metres. Directional factor: 2. Equivalent absorption area: 200 m<sup>2</sup>.

Protection class ADA Cool without heat: (IP21), drip-proof design.  
CE compliant.

**Dimensions**

**Positioning, mounting and installation**
**Mounting**

Thermozone ADA Cool is mounted above the door on the outside of the opening, as close to the opening as possible. The unit should normally be angled outwards, towards the warm side.

It can also be recessed into false ceilings. Sufficient air supply must be provided when mounting into false ceilings. The air curtain should cover the entire width of the door. For wide openings, several units can be positioned next to each other to form an unbroken curtain.

**Connection**

The air curtain is supplied with plug and socket that make it easy to link up the units to one another.

The units should be completed with ADACR, a regulation and adaptation set consisting of a 5-step fan speed regulator and a flexible cable and earthed plug. ADACR can regulate a maximum of 7-9 units (max. 7 units at 60 Hz). Max. input: 5A.

Protection class: IP30.

**Wiring diagram ADA Cool**
**Internal wiring diagram**
