

ECP APE 03

MAN IN COLD ROOM

ALARM kit: consisting of control unit with acoustic-visual warning, comes complete with buffer battery and luminous emergency in-room pushbutton.



APPLICATIONS:

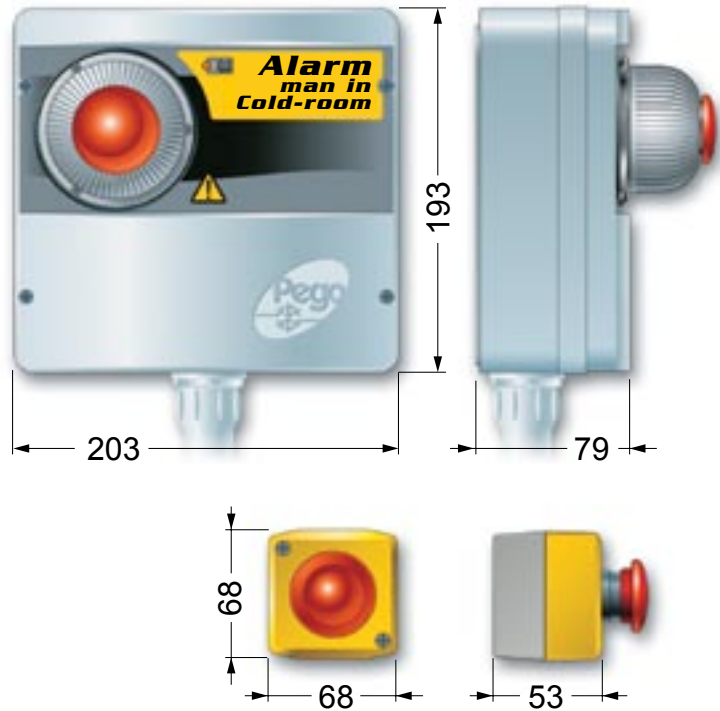
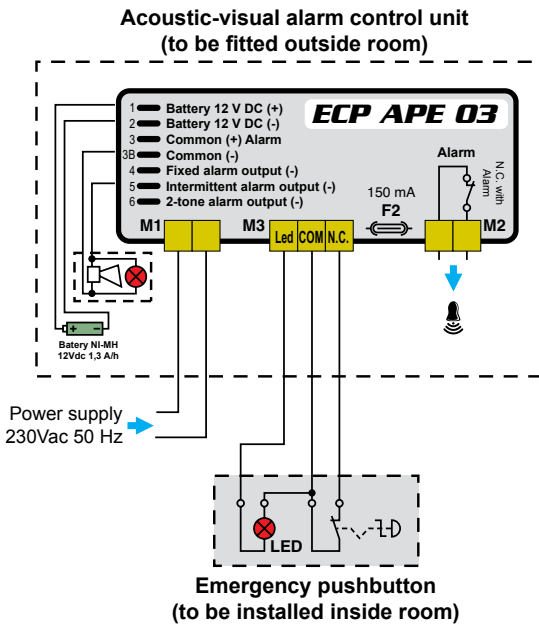
- "Man in room" safety system for low-temperature rooms.

SYSTEM DESCRIPTION:

The MAN IN COLD ROOM ALARM kit allows a person trapped in inside the cold room to activate an acoustic-luminous alarm installed outside the room and so call for help. The system will work even in the event of a temporary power cut thanks to the buffer battery on the external unit.

Component parts:

- **Emergency pushbutton to be fitted inside cold room.** This is a luminous mushroom-shaped pushbutton with a N.C. contact. The pushbutton is illuminated by LEDs, thus making it easy to find even in the dark.
- **Acoustic-visual alarm control unit to be fitted outside the room.** Features a siren and a flashing light and a buffer battery to provide power in the event of a black-out. Also has a clean contact (closed when alarm is active) that can be used to inhibit refrigeration, switch on the interior room light or activate other devices such as a dialler for remote alarm activation.



TECHNICAL CHARACTERISTICS

ECP APE 03

Main power supply	230 Vac 50 Hz
Max consumption on main power supply	20 mA
Buffer battery	12 VDC Ni-MH 1300 mAh Complete recharge time: 110 h
Autonomy	- with 230 V AC power OFF (operation with charged buffer battery): about 14 hrs with 230 V AC power ON: unlimited.
External module	IP 43 protection rating Working temperature: -5 - +45°C
Acoustic characteristics	Type: piezoelectric Sound power: 95 dB at 1 m
Visual warning	Red flashing LED 12 V DC
In-room emergency pushbutton	In-room emergency pushbutton Red flashing LED 12 V DC N.C. contact Keyboard with IP 65 Protection rating Operating temperature: -25 - +70°C
Auxiliary relay	8AAC1 (contact closes when alarm is switched on)