

CROSS-FLOW BLOWERS



Via dei Mille, 3
San Giuliano Milanese
20098 (Milano) ITALY
Phone +39 02 9822231
Fax +39 02 98243291
motors@trial.it
<http://www.trial.it/>



TRIAL S.p.A.

Single ended CROSS-FLOW BLOWERS Diam.45mm.

Alternating Current

For ordering the correct Cross-Flow Blowers, the following code has to be used:

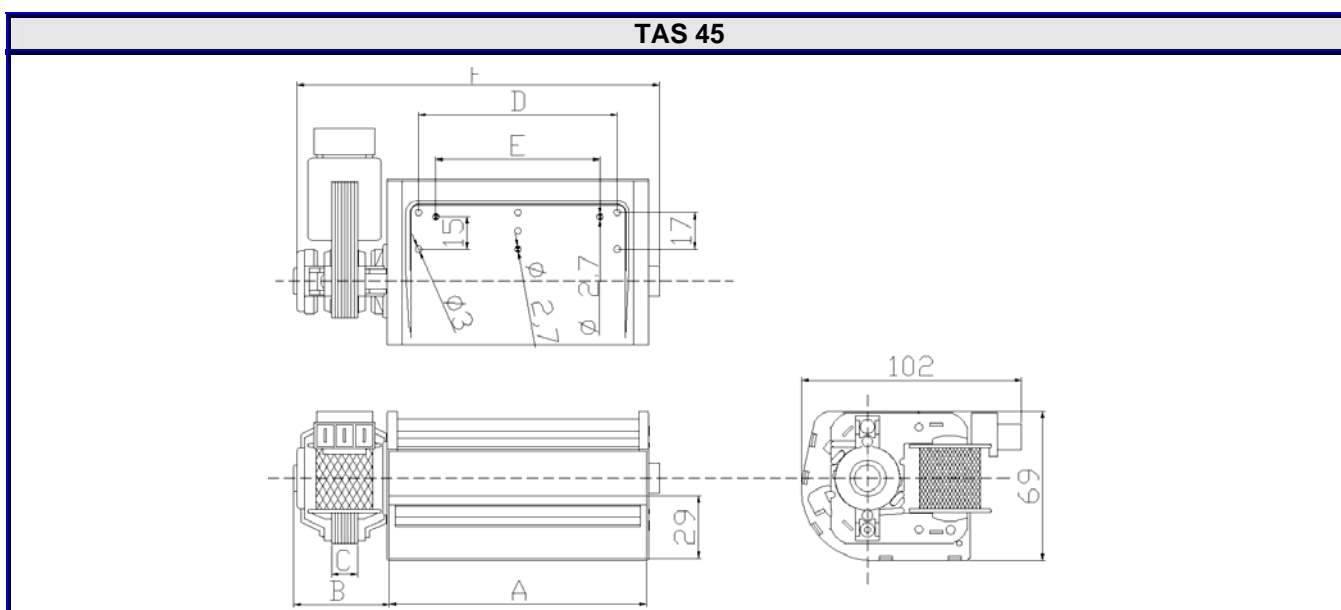
T	A	S				4	-										Volt	Hz
1	1	1	2	2	3			4	4	5	5	5		6	6		7	8

- 1 - TAS.
- 2 - Wheel length code (see table, column 1)
- 3 - "B"= for sleeve bearings, "C"= for ball bearings.
- 4 - Supply connection: "FA"= by faston: "PA"= by soldering tags.
- 5 - Coil code (see table, column 2)
- 6 - Motor and connector position w/r to wheel "S"= means left, "D"= means right: (see following picture)



- 7 - Rated voltage
- 8 - Rated frequency

SINGLE ENDED A.C. TYPE Diam.45mm	COIL FA = faston or PA = soldering tags Code	DIMENSIONS						FREE AIR FLOWRATE AND SPEED		MAX PRESSURE Pa	INPUT POWER W
		A	B	C	D	E	F	rpm	m ³ /h		
		mm	mm	mm	mm	mm	mm				
TAS 09	001	90	44	12	62	46	141	2550	68	17	25
TAS 12	001	120	42	10	92	72	169	2370	91	24	25
TAS 18	001	180	42	10	152	136	229	2040	104	26	25
	003		48	16			235	2320	118	34	30
TAS 24	065	240	48	16	212	196	295	1760	105	33	22
	004		52	20			299	2340	138	33	33
TAS 27	003	270	48	16	242	226	325	1940	141	30	30
	004		52	20			329	2260	165	33	33
TAS 30	004	300	52	20	272	256	359	2180	177	33	33
	005		62	30			369	2360	192	34	35
TAS 36	004	360	52	20	332	316	419	1900	196	33	33
	005		62	30			429	2150	222	34	35



Single ended CROSS-FLOW BLOWERS Diam.60mm.

Alternating Current

For ordering the correct Cross-Flow Blowers, the following code has to be used:

T	A	S				-						-			-	V o l t	H z
1	1	1	2	2	3		4	4	5	5	5		6	6		7	8

- 1 - TAS.
- 2 - Wheel length code (see table, column 1)
- 3 - "B"= for sleeve bearings, "C"= for ball bearings.
- 4 - Supply connection: "FA"= by faston: "PA"= by soldering tags.
- 5 - Coil code (see table, column 2)
- 6 - Motor and connector position w/r to wheel "S"= means left, "D"= means right: (see following picture)

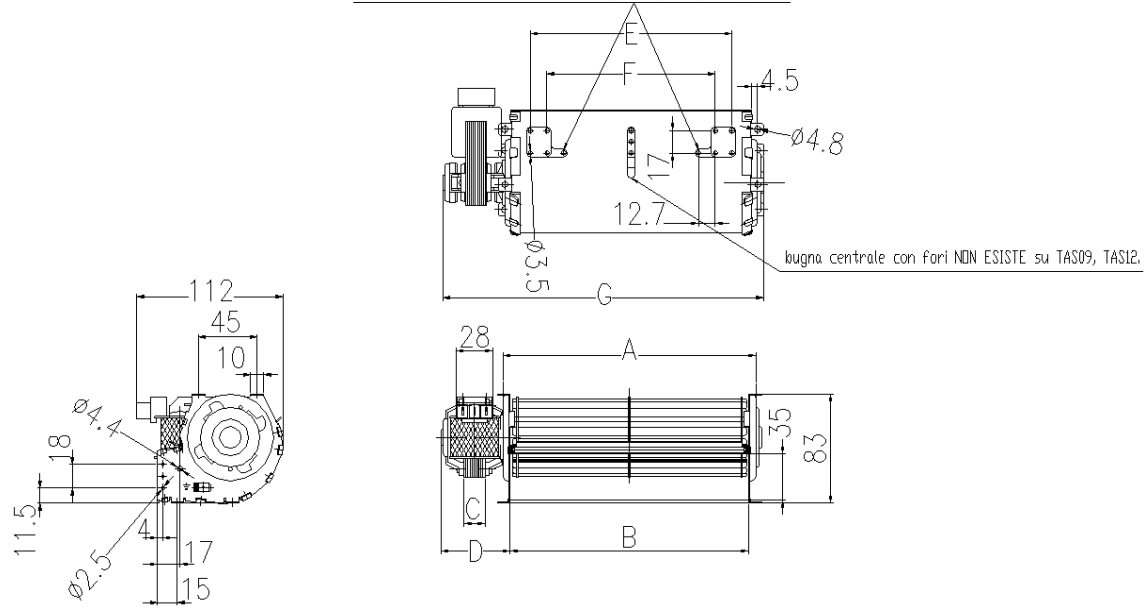


- 7 - Rated voltage
- 8 - Rated frequency

SINGLE ENDED A.C. TYPE Diam.60mm	COIL FA = faston or PA = soldering tags	DIMENSIONS							FREE AIR FLOWRATE AND SPEED		MAX PRESSURE Pa	INPUT POWER W
		A	B	C	D	E	F	G	rpm	m ³ /h		
		mm	mm	mm	mm	mm	mm	mm				
TAS 09	001	108	97	12	49	69	43,6	156	1900	60	60	18
TAS 12	001	133	122	12	49	94	68,6	181	1580	80	57	19
TAS 18	001	193	182	12	49	154	128,6	241	1120	100	40	24
	003			16	53			245	1500	140	60	28
	004			20	57			249	1800	165	65	32
	005			30	67			259	2000	185	65	38
TAS 24	001	253	242	12	49	214	188,6	301	940	110	38	23
	003			16	53			305	1200	160	50	28
	004			20	57			309	1400	175	65	32
	005			30	67			319	1750	200	80	40
TAS 27	001	283	272	12	49	244	218,6	331	900	130	30	23
	003			16	53			335	1140	165	44	30
	004			20	57			339	1300	190	60	34
	005			30	67			349	1700	230	65	45
TAS 30	003	313	302	16	53	274	248,6	365	1000	170	40	30
	004			20	57			369	1200	225	58	32
	005			30	67			379	1520	240	58	45
	014			40	77			389	1850	350	68	58
TAS 36	003	377	366	16	53	336	312	429	900	180	45	30
	004			20	57			433	1150	250	57	32
	005			30	67			443	1340	285	68	45
	014			40	77			453	1700	400	70	58
TAS 42	004	435	424	20	57	394	360	491	1000	265	55	32
	005			30	67			501	1240	330	69	45
	014			40	77			511	1500	430	80	58
TAS 48	004	496	485	20	57	455	431	552	930	290	46	32
	005			30	67			562	1100	345	63	45
	014			40	77			572	1470	460	71	58
TAS 55	004	569	558	20	57	528	504	625	880	315	40	32
	005			30	67			635	1000	360	63	45
	014			40	77			645	1190	480	56	58
TAS 61	004	619	608	20	57	578	554	675	785	320	42	32
	005			30	67			685	920	375	52	45
	014			40	77			695	1090	500	54	58

TAS 60

N. 2 fori ϕ 3,5 esistenti solo su VT36, VT42, VT48, VT55, VT60



TRIAL S.p.A.

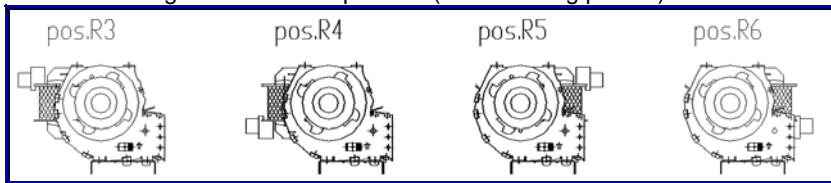
Dual CROSS-FLOW BLOWERS Diam.60mm

Alternating Current

For ordering the correct Cross-Flow Blowers, the following code has to be used:

T	A	D				-						-		-	V o l t	H z
1	1	1	2	2	3		4	4	5	5	5		6	6	7	8

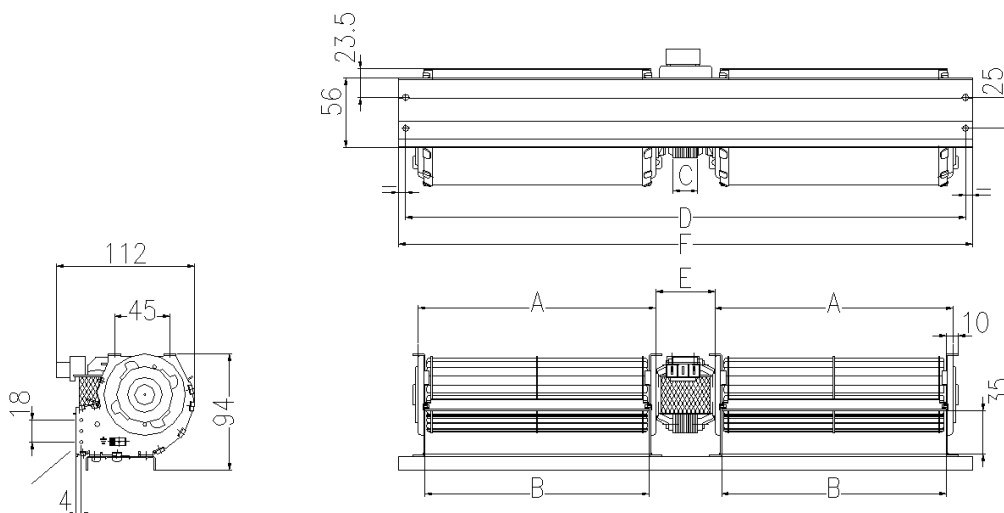
- 1 - TAD
- 2 - Wheel length code (see table, column 1)
- 3 - "B" = for sleeve bearings: "C"= for ball bearings.
- 4 - Supply connection: " FA" = means by faston: " PA"= means by soldering tags.
- 5 - Coil code (see table, column 2)
- 6 - Motor mounting and connector position (see following picture)



- 7 - Rated voltage
- 8 - Rated frequency

DUAL A.C. TYPE Diam.60mm	COIL FA = faston or PA = soldering tags Code	DIMENSIONS						FREE AIR FLOWRATE AND SPEED		MAX PRESSURE Pa	INPUT POWER W
		A	B	C	D	E	F	rpm	m ³ /h		
		mm	mm	mm	mm	mm	mm				
TAD 18	004	193	182	20	454	48	465	1050	185	52	32
	005			30		58		1300	235	60	38
	014			40		68		1580	270	60	51
TAD 24	004	253	242	20	574	48	585	950	220	41	32
	005			30		58		1080	250	61	40
	014			40		68		1170	325	60	52
TAD 27	004	283	272	20	634	48	645	870	260	38	32
	005			30		58		1000	300	46	40
	014			40		68		1115	355	56	54
TAD 30	005	313	302	30	694	58	705	970	315	44	40
	014			40		68		1050	380	57	55
TAD 36	005	377	366	30	830	58	841	875	370	48	45
	014			40		68		950	410	53	55

TAD 60



TRIAL S.p.A.

Single ended CROSS-FLOW BLOWERS Diam.60mm

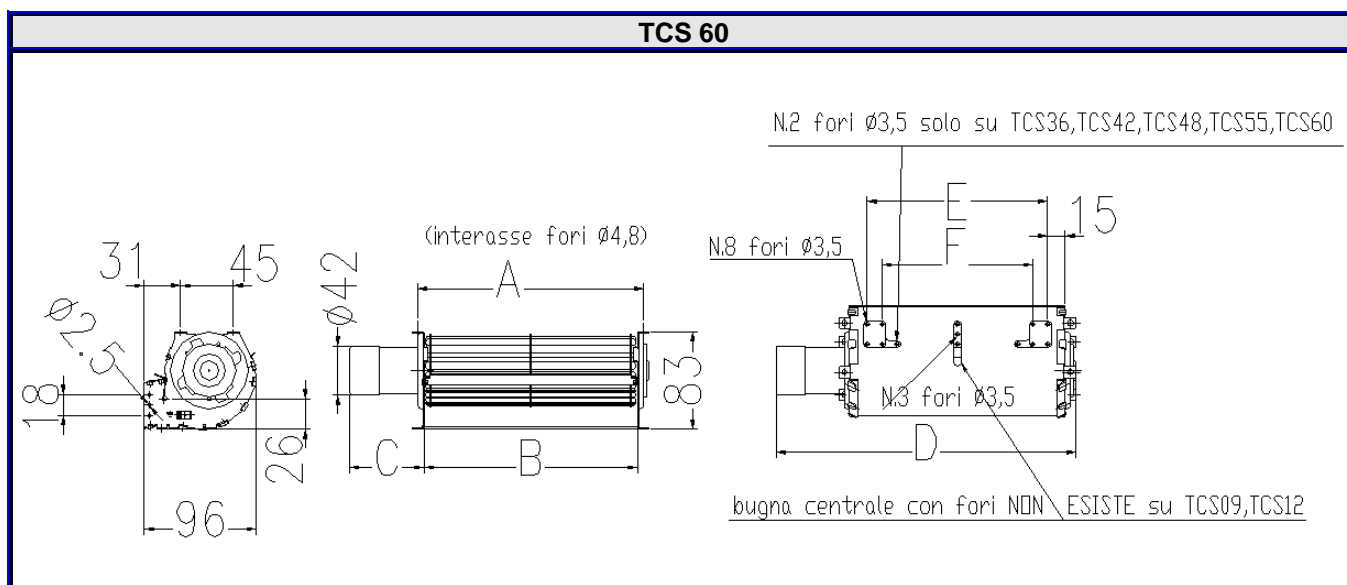
Direct Current

For ordering the correct Cross-Flow Blower, the following code has to be used:

T	C	S				-	V o l t C . C .
1	1	1	2	2	3		4

- 1 - TCS
- 2 - Wheel length code (see table, column 1)
- 3 - Motor position w/r to wheel: "S"= means left, "D"= means right.
- 4 - Rated voltage.

SINGLE ENDED D.C. TYPE	DIMENSIONS mm							FREE AIR FLOWRATE AND SPEED		MAX PRESSURE Pa	INPUT POWER	
	A	B	C	D	E	F	m ³ /h	rpm	A		W	
TCS 09	12V	108	97	58	170,5	69	43,6	65	2070	72	0,42	5
	24V										0,21	
TCS 12	12V	133	122	58	195,5	94	68,6	83	1840	64	0,53	6,4
	24V										0,26	
TCS 18	12V	193	182	58	255,5	154	128,6	125	1440	48	0,64	7,7
	24V										0,32	
TCS 24	12V	253	242	58	315,5	214	188,6	185	1300	46	0,67	8
	24V										0,33	
TCS 27	12V	283	272	58	345,5	244	218,6	200	1230	45	0,70	8,15
	24V										0,35	
TCS 30	12V	313	302	58	375,5	274	248,6	205	1165	44	0,68	8,4
	24V										0,34	
TCS 36	12V	377	366	58	439,5	336	312	225	1060	42	0,75	9
	24V										0,37	
TCS 42	12V	435	424	58	497,5	394	360	245	1050	40	0,75	9
	24V										0,37	
TCS 48	12V	496	485	58	558,5	455	431	260	970	35	0,76	9,1
	24V										0,38	
TCS 55	12V	569	558	58	631,5	528	504	305	950	30	0,77	9,2
	24V										0,39	
TCS 61	12V	619	608	58	681,5	578	554	320	920	27	0,78	9,4
	24V										0,40	



TRIAL S.p.A.

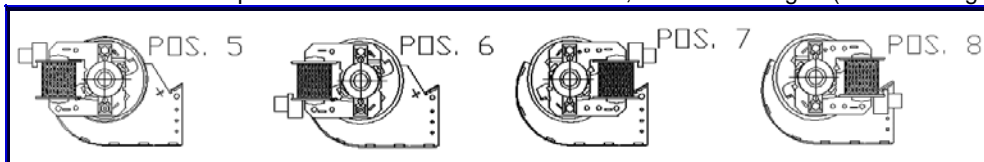
Single ended CROSS-FLOW BLOWERS Diam.65mm.

Alternating Current

For ordering the correct Cross-Flow Blowers, the following code has to be used:

T	A	S				5	-										V o l t	H z
1	1	1	2	2	3			4	4	5	5	5		6	6		7	8

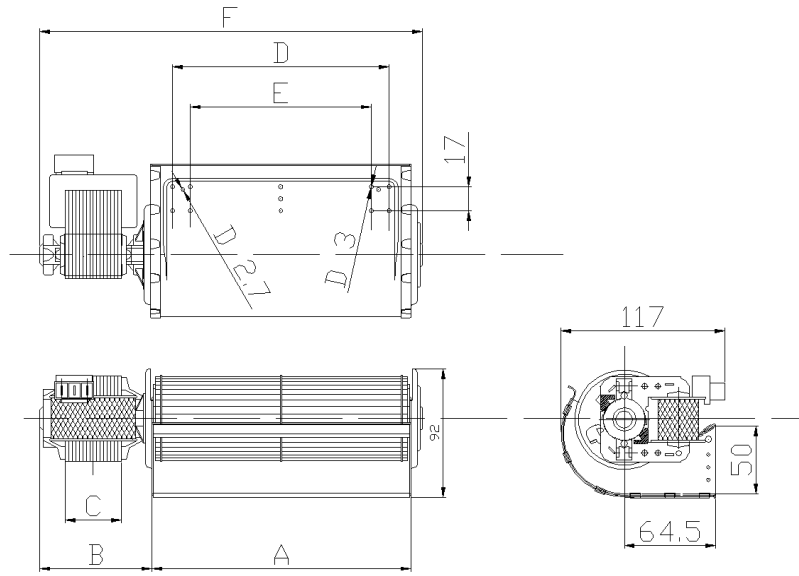
- 1 - TAS.
- 2 - Wheel length code (see table, column 1)
- 3 - "B"= for sleeve bearings, "C"= for ball bearings.
- 4 - Supply connection: "FA"= by faston: "PA"= by soldering tags.
- 5 - Coil code (see table, column 2)
- 6 - Motor and connector position w/r to wheel "S"= means left, "D"= means right: (see following picture)



- 7 - Rated voltage
- 8 - Rated frequency

SINGLE ENDED A.C. TYPE Diam.65mm	COIL FA = faston or PA = soldering tags Code	DIMENSIONS						FREE AIR FLOWRATE AND SPEED		MAX PRESSURE Pa	INPUT POWER W
		A mm	B mm	C mm	D mm	E mm	F mm	rpm	m ³ /h		
TAS 09	001	94	52	12	64	34	154	1800	66	34	22
TAS 12	001	124	52	12	94	64	184	1500	88	32	22
TAS 18	001	184	52	12	154	124	244	920	91	35	24
	003		56	16			248	1230	124	55	30
	004		60	20			252	1400	153	65	35
	005		70	30			262	1630	175	73	40
TAS 24	001	244	52	12	214	184	304	750	140	26	24
	003		56	16			308	950	178	51	30
	004		60	20			312	1030	193	56	35
	005		70	30			322	1200	225	66	40
TAS 27	001	274	52	12	244	214	334	700	132	30	24
	003		56	16			338	875	170	46	30
	004		60	20			342	980	190	60	35
	005		70	30			352	1120	250	65	40
TAS 30	003	304	56	16	274	244	368	840	196	40	30
	004		60	20			372	930	217	50	35
	005		70	30			382	1050	245	58	40
TAS 36	004	364	60	20	334	304	432	820	241	49	35
	005		70	30			442	925	290	57	40
	014		80	40			452	1170	365	62	58
TAS 42	004	424	60	20	394	364	492	715	255	47	35
	005		70	30			502	855	335	57	40
	014		80	40			512	1030	390	60	58
TAS 48	004	484	60	20	454	424	552	665	280	45	35
	005		70	30			562	760	350	55	40
	014		80	40			572	1000	420	58	58
TAS 55	004	554	60	20	524	494	622	630	305	40	35
	005		70	30			632	700	365	55	40
	014		80	40			642	810	440	56	58
TAS 61	004	614	60	20	584	554	682	560	325	40	35
	005		70	30			692	640	380	52	40
	014		80	40			702	740	460	54	58

TAS 65



TRIAL S.p.A.

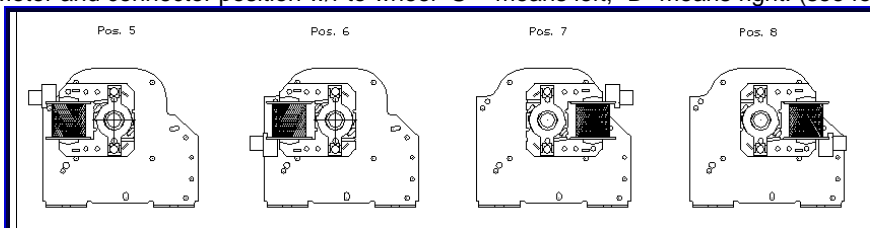
Single ended CROSS-FLOW BLOWERS Diam.80mm.

Alternating Current

For ordering the correct Cross-Flow Blowers, the following code has to be used:

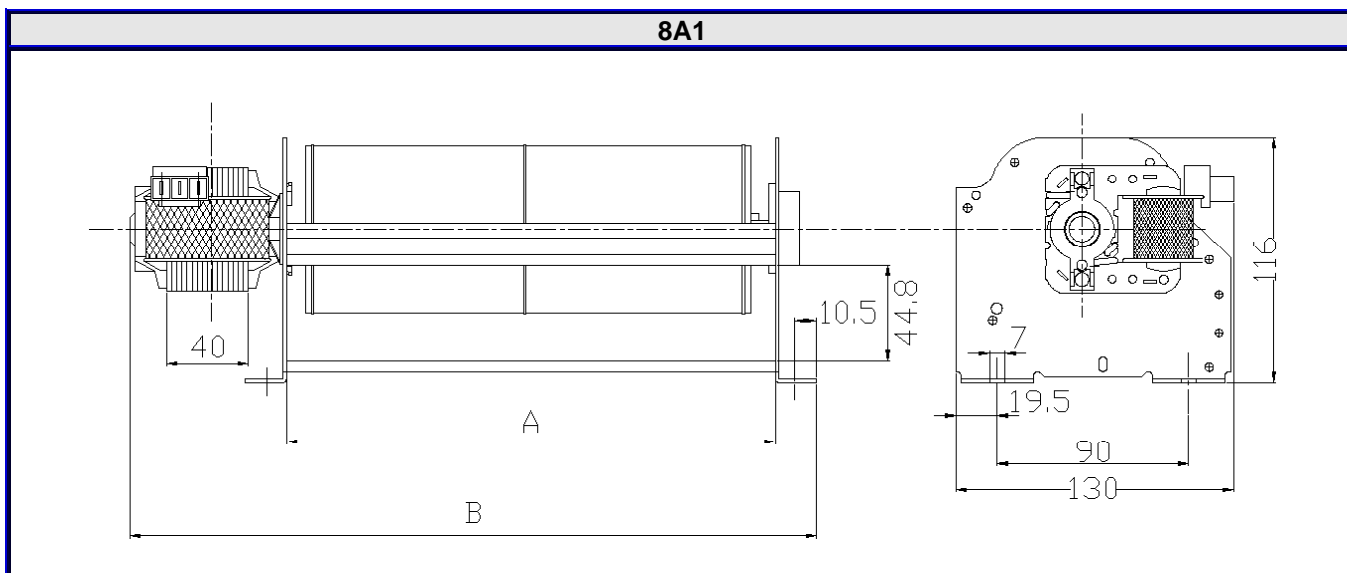
8	A					-									V o l t	H z
1	1	1	2	2	3		4	4	5	5	5		6	6	7	8

- 1 - Product Code "8A, 1 or Q" = 80mm Cross-Flow Blowers, single ended, A.C.
- 2 - Wheel length code (see table, column 2)
- 3 - "B"= for sleeve bearings, "C" = for ball bearings (8A1 only).
- 4 - Supply connection: "FA"=by faston; "PA"=by soldering tags, (8A1 codes) ; by harness (8AQ codes).
- 5 - Coil code (see table, column 3)
- 6 - Motor and connector position w/r to wheel "S"= means left, "D" means right: (see following picture, 8A1 only)



- 7 - Rated voltage
- 8 - Rated frequency

SINGLE ENDED A.C. Diameter 80 mm	Wheel length	Motor	DIMENSIONS		FREE AIR FLOWRATE AND SPEED		MAX PRESSURE	INPUT POWER
			A	B	rpm	m ³ /h		
	Cm	Code	mm	mm			Pa	W
8A 1	23	FA or PA 014	230	322	1220	260	76	58
	33		330	422	960	300	70	60
	37		370	462	900	352	63	60
8A Q	51	2P 150	515	657	2280	1060	72	210
	61		615	757	2070	1300	70	220



8AQ

